

PHD TENT ERECTOR OR POST HOLE DIGGER

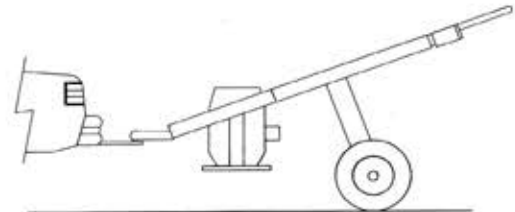
AUGER NOT INCLUDED

AVAILABLE OPTION:

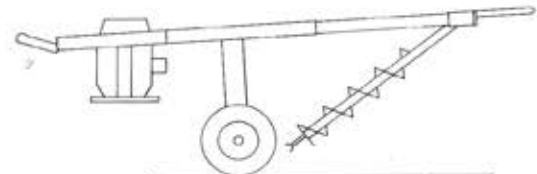
“ALTERNATE QUICK CHANGE DRIVE ASSEMBLY”

FEATURES

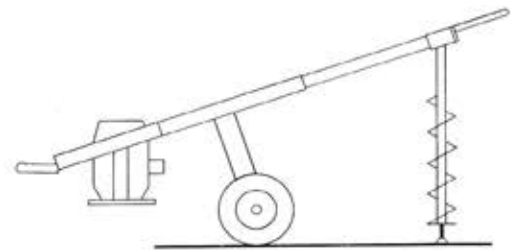
- Easily towable
- No strain one person operation
- No torque reaction
- Reversible
- Operate right up to walls and fences
- Unit telescopes for loading and towing
- Engine base swivels to keep engine level and balance operation
- Unique swivel and rotation joints combine to permit work on slopes at any angle
- Auger stays on when moving to next hole
- Relief valve stall protection
- Available without tow kit
- 225 lbs. (100kg.) weight
- 9 hp Honda Power
- 6 gpm Pump flow at 3600 rpm
- Post hole digger – 110 rpm
- Tent erector – 220 rpm
- 1 $\frac{3}{8}$ " Hexagon auger drive – standard
- $\frac{7}{8}$ " Square auger drive – optional
- 1 $\frac{3}{16}$ " Dia. stihl auger drive – optional
- Augers available – 4" to 16" diameter
- Auger extensions available
- Tent stakes (screw type) available



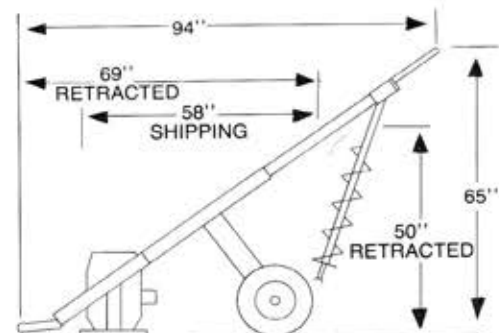
TOWING MODE



MOVING MODE



OPERATING MODE



STD. WHEELS OUTSIDE WIDTH 30"
TOWING WHEELS OUTSIDE WIDTH 46"
TOWING WHEELS RETRACTED 30"

COMPAC

EQUIPMENT MFG. INC.

R.R. #6
WOODVILLE, ONTARIO
K0M 2T0

Phone: (705) 439-2065
Fax: (705) 439-2066

We reserve the right to change specifications without notice.